

TEST GRILĂ LA LIMBA ENGLEZĂ
PROFILUL SUBOFITERI
VARIANTA NR. 2

PARTEA I: CITIT

Choose the correct answer a, b, c or d.

Last week Susan Schapiro won the British 100 Meters Freestyle Championship with a European record time of 56 seconds. Britain's new swimming star is the youngest athlete to win this championship, the day of the competition being her fourteenth birthday.

Susan's manager, Marion Lawes, says that Susan's success is due to her training schedule. Susan swims every day from 6.30 to 8.00 before going to school and she does more on Saturdays and Sundays. On Mondays, Wednesdays and Fridays, she goes for a 15-kilometre run in the afternoon and on Tuesdays and Thursdays she trains in the gym. After swimming she has toast and eggs for breakfast, as part of a carefully controlled diet. She visits the doctor for a check-up on the first day of each month.

Isn't this program rather strict for a young person?

"Not at all", says her manager. Susan has a full social life. She goes out on Saturday and Sunday evening to cinema or to a party and, of course, she has all her friends at school. "Anyway, it's not easy to be a champion. You have to work hard at it!"

1. How old is Susan?
 - a. She is ten years old.
 - b. She is six years old.
 - c. She is fourteen years old.
 - d. She is fifteen years old.

2. How often does she train?
 - a. Three days a week.
 - b. Every day.
 - c. Five days a week.
 - d. Only on Mondays, Wednesdays and Fridays.

3. What does she have for breakfast?
 - a. Eggs.
 - b. Eggs and toast.
 - c. Some toast.
 - d. She has nothing for breakfast.

Choose the correct answer a, b, c or d.

One of the most wonderful inventions of the past one hundred years is the telephone. This familiar, handy instrument has become a highly important part of daily life. The first telephone was installed in 1877. Today there are over 170 million telephones in the world. The average person in North America makes six hundred calls a year.

The word 'telephone' comes from the Greek words 'tele' and 'phone', which mean "distant" and "sound". These words actually describe what the telephone does. It carries sound

over a distance rapidly and accurately by using electric currents. The telephone transmits speech so that it sounds natural and has enough volume for conversation to take place easily. Any telephone can be quickly connected to almost any other telephone anywhere in the world.

4. The main idea of the paragraph is:
 - a. Telephone is a Greek word.
 - b. The telephone transmits sounds.
 - c. The telephone is a very useful instrument.
 - d. The telephone receives electric currents.
5. In the text the word “phone” means:
 - a. Sound.
 - b. Distant.
 - c. Fine.
 - d. Natural.
6. How many phone calls does the average person in North America make a year?
 - a. 500.
 - b. 170.
 - c. 1877.
 - d. 600.

Choose the correct answer a, b, c or d.

The Indian Ocean is the third-largest ocean in the world. Only the Pacific and the Atlantic are larger. More than one fifth of the entire world’s water supply is in the Indian Ocean. The Indian Ocean touches four different continents. To the south is Antarctica and to the east Australia. Africa lies to the west and Asia lies to the north. There are several important islands in the Indian Ocean. These include Madagascar, the largest one which is near Africa, and Sri Lanka, which is near India. The Indian Ocean is extremely important for the weather in the countries in Southeast Asia. Strong winds from the Indian Ocean bring warm weather and heavy rains which are necessary for growing food.

7. Of all the oceans in the world, the Indian Ocean contains more than.....
 - a. 5% of world’s water.
 - b. 20% of world’s water.
 - c. 15% of world’s water.
 - d. 10% of world’s water.
8. Sri Lanka lies near
 - a. Madagascar.
 - b. Africa.
 - c. India.
 - d. Australia.
9. The Indian Ocean influences the weather in
 - a. Asia.

- b. Australia.
- c. Antarctica.
- d. Africa.

10. How many continents does the Indian Ocean touch?

- a. 3.
- b. 4.
- c. 5.
- d. 14.

11. Which is the largest island in the Indian Ocean?

- a. Madagascar.
- b. Africa.
- c. Sri Lanka.
- d. India.

Choose the correct answer a, b, c or d.

Dogs have a close relationship with human beings but this has nothing to do with self-awareness. Basically it is all because dogs are brilliant at reading human expressions and gestures, and interpreting them. They are better at this even than chimpanzees that are our closest relatives. There has been a great deal of research so scientists have gathered a large amount of evidence. There is a simple experiment where there are two cups. One has food under it, and the other is empty. Well, with dogs, if someone touches the cup, or even just looks at it, then a dog will select the one with the food every time. Chimps simply guess.

The most likely explanation is that it is a result of evolution. In domesticated dogs, and in human contact generation after generation, this ability to recognize human emotions and gestures has evolved.

12. Dogs form such close relationships with human because they....

- a. Can tell what humans feel.
- b. Think like humans.
- c. Are pack animals.
- d. Are self-aware.

13. How good are dogs at reading human expressions?

- a. They're worse than dolphins.
- b. They're not as good as chimpanzees.
- c. They're better than chimpanzees.
- d. They're as good as chimpanzees.

14. What happens with the cup test?

- a. Dogs simply guess.
- b. Chimps and dogs have similar success rates.
- c. Chimpanzees simply guess.
- d. Dogs get it right all the time.

15. What is the principal reason for this ability to read expressions?

- a. It can easily be reactivated.

- b. It is an instinct possessed by canines.
- c. Any dog can quickly acquire this skill.
- d. A combination of human company and evolution.

PARTEA a II-a: ELEMENTE DE GRAMATICĂ ȘI VOCABULAR

Choose the correct answer a, b, c or d.

16. We cook our own.....

- a. Kitchen.
- b. Table.
- c. Food.
- d. Plates.

17. I want to buy some I want to make a cake.

- a. Forks.
- b. Drinks.
- c. Clothes.
- d. Fruit.

18. My sister has two

- a. Childrens.
- b. Childs.
- c. Children.
- d. Child.

19. Last year I visited two

- a. Countries.
- b. Countrys.
- c. Country.
- d. Countryz.

20. Tom is my friend. I like

- a. His.
- b. Him.
- c. Her.
- d. She.

21. Mary is my cousin. I like

- a. Him.
- b. Her.
- c. His.
- d. She.

22. A soldier salute superiors.
- Must.
 - Must to.
 - Musted.
 - To must.
23. Sue isthan Mary.
- As beautiful as.
 - Beautifuller.
 - Beautiful.
 - More beautiful.
24. Tom is the student in our class.
- Intelligent.
 - Intelligentel.
 - Most intelligent.
 - As intelligent.
25. Your bag is... than my bag.
- Heavy.
 - Most heavy.
 - As heavy.
 - Heavier.
26. My cat caught three....
- Mouse.
 - Mice.
 - Mousse.
 - Mices.
27. Ana can....
- Swim.
 - Swimming.
 - To swim.
 - Swam.
28. This is house.
- Mary's.
 - Of Mary.
 - Too Mary.
 - Maries.
29. Did he to the ZOO yesterday?
- Went.
 - Go.
 - Going.
 - Gone.

30. Next week they go on holiday.

- a. Doing.
- b. Does.
- c. Do.
- d. Will.

31. I bought..... book yesterday.

- a. An.
- b. A.
- c. Two.
- d. Some.

32. Is thiscar?

- a. Their's.
- b. Theirs.
- c. Their.
- d. They.

33. Today isthan yesterday.

- a. Hotter.
- b. Hot.
- c. As hot.
- d. More hot.

34. This is the restaurant in town

- a. Best.
- b. Better.
- c. Good.
- d. More better.

35. It's half past five pm. It's

- a. 05.30.
- b. 17.10.
- c. 16.30.
- d. 17.30.

PARTEA a III-a: SCRIS

36. What is the correct order of events in this short narration?

- a. Finally he went to work. First he had a shower. Then he got dressed. After that he had breakfast.
- b. Then he got dressed. After that he had breakfast. First he had a shower. Finally he went to work.
- c. First he had a shower. Then he got dressed. After that he had breakfast. Finally he went to work.
- d. After that he had breakfast. First he had a shower. Finally he went to work. Then he got dressed.

37. Which is the correct sentence?
- My address is No.5, Hamilton Avenue, in New York, U.S.A.
 - My address is Hamilton Avenue, no.5, New York, U.S.A.
 - My address is U.S.A., No.5, Hamilton Avenue, New York.
 - My address is Avenue Hamilton, no.5, New York, U.S.A.
38. Which is the correct sentence?
- Like you pizza?
 - Pizza do you like?
 - Do like you pizza?
 - Do you like pizza?
39. Which is the correct sentence?
- Nice you to meet Tom!
 - Meet nice you Tom!
 - Nice Tom to meet you!
 - Nice to meet you Tom!
40. Which is the most appropriate line for a formal letter?
- Send me informations.
 - I would kindly ask you to send me some information about...?
 - Love, Paul.
 - Best Wishes.
41. How do you start an informal letter?
- Dear Sir.
 - Dear Sir George.
 - Dear George.
 - Best regards.
42. Which is the most appropriate sentence to make a formal suggestion?
- Would you be interested in going to the cinema?
 - Let's go to the cinema!
 - Why don't we go to the cinema?
 - We should go to the cinema!
43. Which is the correct sentence?
- I go 8 o'clock usually at to work.
 - I go to work at 8 o'clock usually.
 - I usually go to work at 8 o'clock.
 - I usually to go work at 8 o'clock.
44. Which is the best way to begin a letter of application?
- I am currently employed as ...
 - I am writing to apply for the position ofadvertised in yesterday's newspaper
 - Please find enclosed my references from....
 - I am presently attending a course...

45. Which is the best way to end a formal letter?
- a. Yours, Jessie.
 - b. Love, Mr Alberto Ponti.
 - c. Love Chris.
 - d. Yours sincerely, Adam Clayton.

**GRILA DE CORECTARE
LA “LA LIMBA ENGLEZĂ”
PROFILUL SUBOFITERI**

VARIANTA NR. 2

Nr. item	Răspuns	Nr. item	Răspuns
1.	c.	26.	
2.	b.	27.	
3.	b.	28.	
4.	c.	29.	
5.	a.	30.	
6.	d.	31.	
7.	a.	32.	
8.	c.	33.	
9.	a.	34.	
10.	b.	35.	
11.	a.	36.	
12.	a.	37.	
13.	c.	38.	
14.	c.	39.	
15.	d.	40.	
16.	c.	41.	
17.	d.	42.	
18.	c.	43.	
19.	a.	44.	
20.	b.	45.	
21.	b.		
22.	a.		
23.	d.		
24.	c.		
25.	d.		

TEST GRILĂ LA MATEMATICĂ ȘI FIZICĂ
- PROFILUL SUBOFIȚERI -
VARIANTA NR. 2

1. Termenul de rang 10 al progresiei aritmetice 3, 6, 9, 12... este:

- a) $a_{10} = 17$; b) $a_{10} = 10$; c) $a_{10} = 12$; d) $a_{10} = 30$.

2. Punctele de intersecție a graficului funcției $f: R \rightarrow R$, $f(x) = \frac{1}{2}x - 3$ cu axele de coordonate Ox, Oy sunt:

- a) $A(6,0)$ și $B(0,-3)$; b) $A(5,0)$ și $B(0, 3)$; c) $A(1, 0)$ și $B(0, 2)$; d) $A(3, 0)$ și $B(0, 1)$.

3. Soluția ecuației $3^{2x-1} = 9$ este:

- a) $x = 4$; b) $x = \frac{7}{2}$; c) $x = \frac{3}{2}$; d) $x = 1$.

4. Valoarea minimă a funcției $f: R \rightarrow R$, $f(x) = x^2 - 5x + 7$ este:

- a) $\frac{1}{5}$; b) $\frac{3}{4}$; c) $\frac{2}{3}$; d) $\frac{4}{7}$.

5. Suma soluțiilor ecuației $-3x^2 - 5x + 12 = 0$ este:

- a) $-\frac{1}{3}$; b) $-\frac{2}{3}$; c) $-\frac{4}{3}$; d) $-\frac{5}{3}$.

6. Valoarea numărului real $A = \sqrt{8} + \sqrt{18} + \sqrt{32} - \sqrt{200}$ este:

- a) $-\sqrt{5}$; b) $-\sqrt{3}$; c) $-\sqrt{2}$; d) $-\sqrt{7}$.

7. Valoarea lui $\log_2 8$ este:

- a) 3; b) 2; c) 4; d) 5.

8. Valoarea A_3^2 este:

- a) 14; b) 8; c) 12; d) 6.

9. Fie matricele $A = \begin{pmatrix} 1 & 2 \\ 3 & 0 \end{pmatrix}$ și $B = \begin{pmatrix} -3 & 1 \\ 2 & -2 \end{pmatrix}$. Suma elementelor matricei $A + 2B$ este:

- a) 4; b) 2; c) 3; d) 1.

10. Care din următoarele mărimi fizice nu este vectorială?

- a) forța; b) viteza; c) lucrul mecanic; d) accelerația.

11. Mișcarea rectilinie uniform variată este mișcarea punctului material cu:

- a) viteză constantă b) accelerație constantă;
c) accelerație variabilă; d) accelerație nulă.

12. O forță orizontală $F = 16\text{N}$ imprimă unui corp de masă $m = 2\text{ kg}$ așezat pe un plan orizontal o accelerație $a = 3\text{ m/s}^2$. Se consideră $g = 10\text{ m/s}^2$. Coeficientul de frecare este:

- a) $\frac{1}{7}$; b) $\frac{1}{3}$; c) $\frac{1}{2}$; d) 1.

13. Un corp se deplasează pe distanța $d = 10\text{m}$ sub acțiunea unei forțe constante $F = 100\text{N}$. Lucrul mecanic efectuat de corp este:

- a) 1000J; b) 75J; c) 2500J; d) 50J.

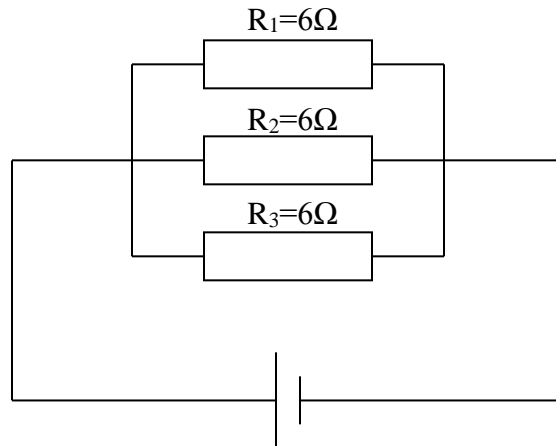
14. Se consideră $g = 10\text{ m/s}^2$. Greutatea unui corp de masă $m = 5\text{ kg}$ este:

- a) 100N; b) 5N; c) 50N; d) 20N.

15. Unitatea de măsură a intensității curentului electric este:

- a) N; b) J; c) W; d) A.

16. Rezistența echivalentă R_e a circuitului din figură este:



- a) 8Ω ; b) 6Ω ; c) 4Ω ; d) 2Ω .

17. Rezistența electrică a unui consumator de putere $P = 600W$ ce funcționează la tensiunea $U = 120V$ este:

- a) 20Ω ; b) 48Ω ; c) 24Ω ; d) 30Ω .

18. Tensiunea electromotoare echivalentă legării în serie a două generatoare cu tensiunile electromotoare $E_1 = 3V$; $E_2 = 3,5V$ este:

- a) $0,5V$; b) $7V$; c) $6,5V$; d) $\frac{1}{6,5}$

GRILA DE CORECTARE LA MATEMATICĂ ȘI FIZICĂ
- PROFILUL SUBOFIȚERI -
VARIANTA NR. 2

Nr. Item	Răspuns
1.	d
2.	a
3.	c
4.	b
5.	d
6.	c
7.	a
8.	d
9.	b
10.	c
11.	b
12.	c
13.	a
14.	c
15.	d
16.	d
17.	c
18.	c